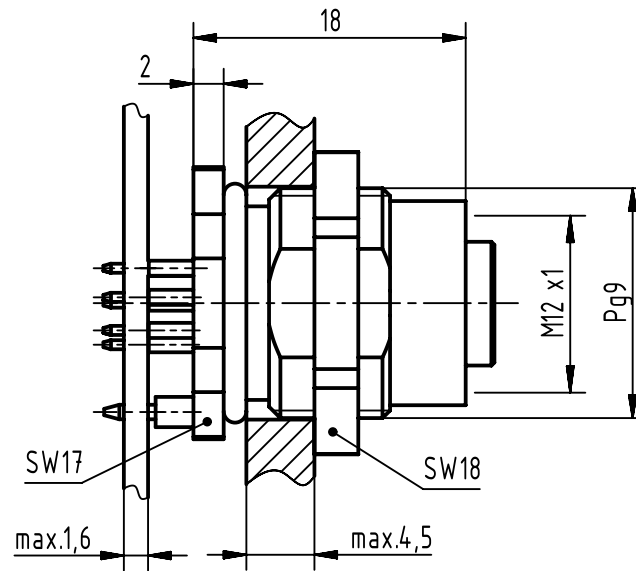
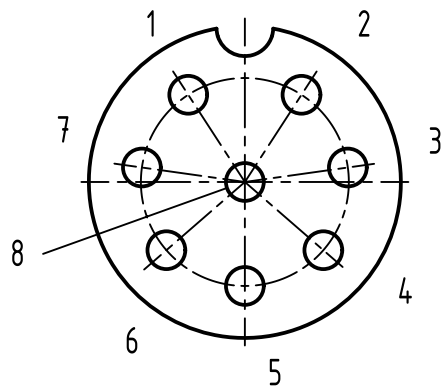
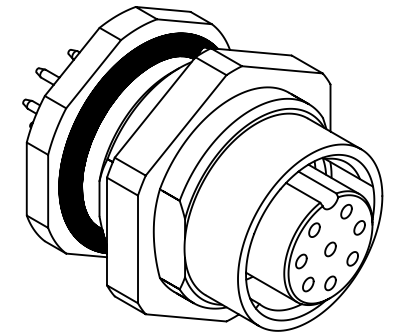
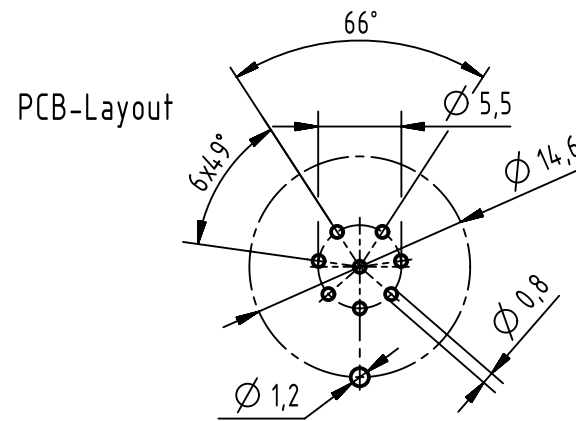
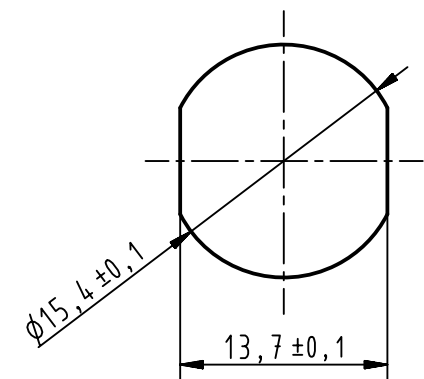




X (5:1)



Montageausschnitt Gehäuse  
panel cutout



	All Dimensions in mm Original Size DIN A4	Scale	Free size tol.			Ref.
		2:1				Sub.
	All rights reserved Department EC PD - DE	Created by	Inspected by	Standardisation	Date	State
		DYCKC	HARLASS	KOHLER	2013-05-29	Final Release
HARTING Electronics GmbH D-32339 Espelkamp		Title				Doc-Key / ECM-Nr. 100120994/UGD/002/B 500000062540
		M12-F PFT 8-pole A-coded				
		Type	Number		Rev.	Page
		TB	21033112801		B	1/1